

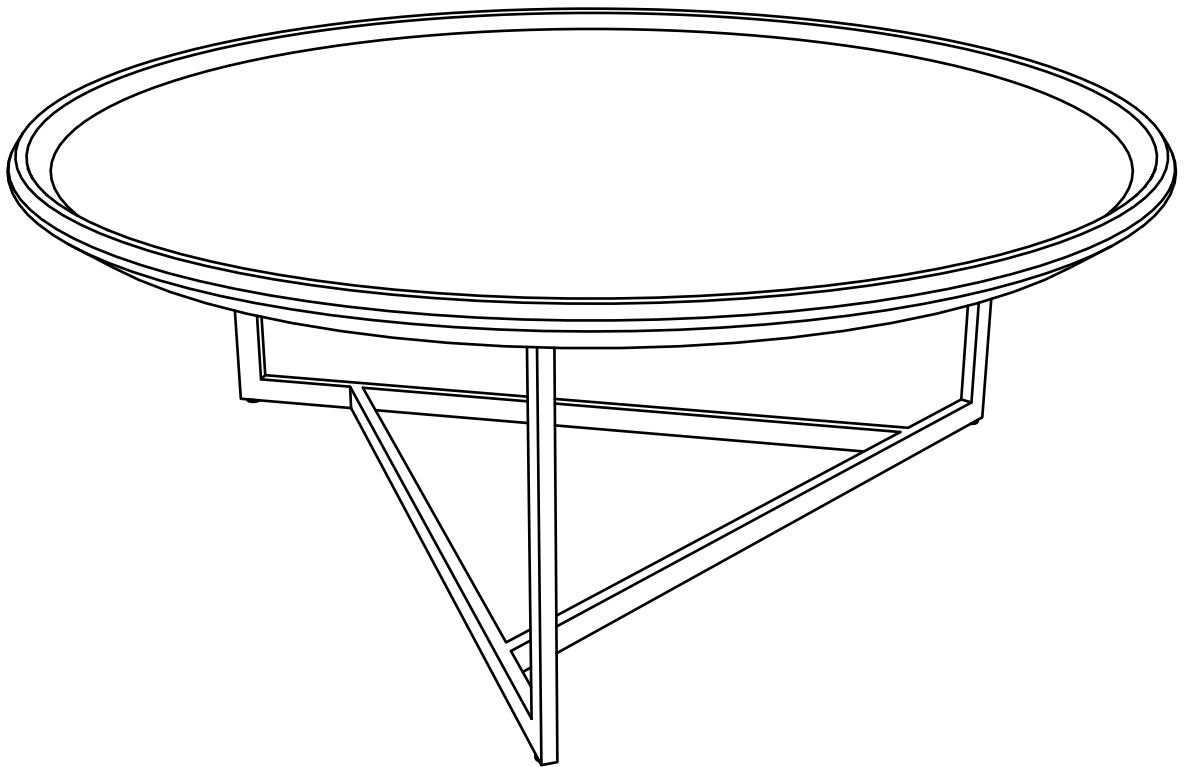
# **MANUAL DE MONTAGEM**

ASSEMBLY INSTRUCTIONS

INSTRUCCIONES DE MONTAJE

NOTICE DE MONTAGE

MONTAGEANLEITUNG



COD BR: 253700

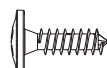
REV. 01 - 14/04/20

cod. 11153



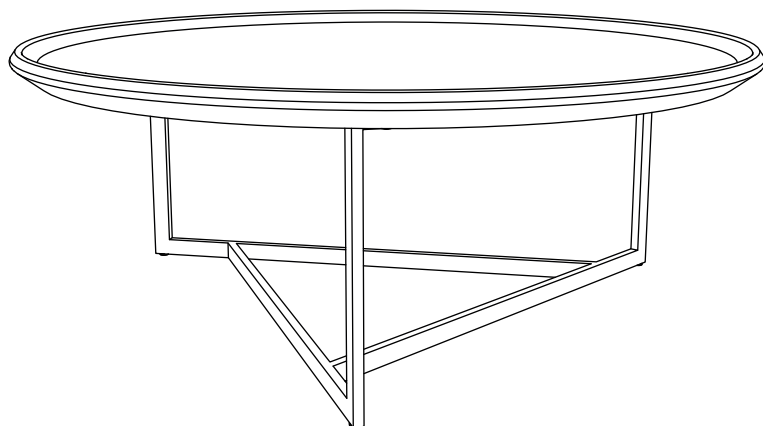
A

cod. 8056



B

## DESCRIÇÃO/DESCRIPTION/DESCRIPCIÓN/DESCRIPTION/BESCHREIBUNG



L:816mm A:315mm P:816mm  
 W:32.12 inches H:12.08 inches D:32.12 inches  
 L:816mm A:315mm P:816mm  
 L:816mm H:315mm P:816mm  
 B:816mm H:315mm T:816mm

CÓD:253700

PEÇA PART PIEZA PIECE STÜCK	QUANTIDADE QUANTITY CANTIDAD QUANTITÉ MENGE	DESCRIÇÃO	DESCRIPTION	DESCRIPCIÓN	DESCRIPTION	BESCHREIBUNG	CAIXA BOX CAJA BOÎTE BOX
01	01	TAMPO	TABLETOP	CUBIERTA	PLATEAU	PLATTE	01
55	01	BASE	BASE	BASE	BASE	BASIS	01

